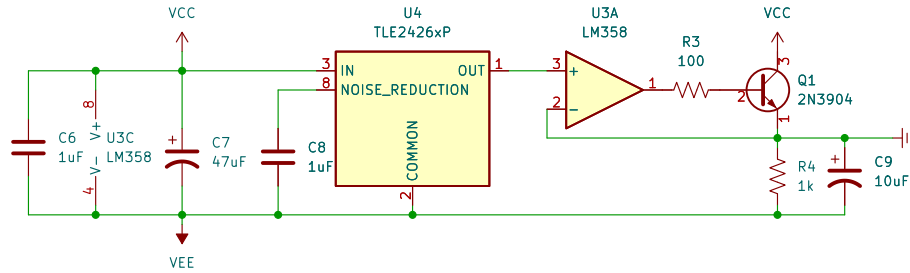
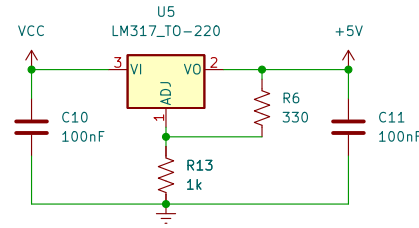


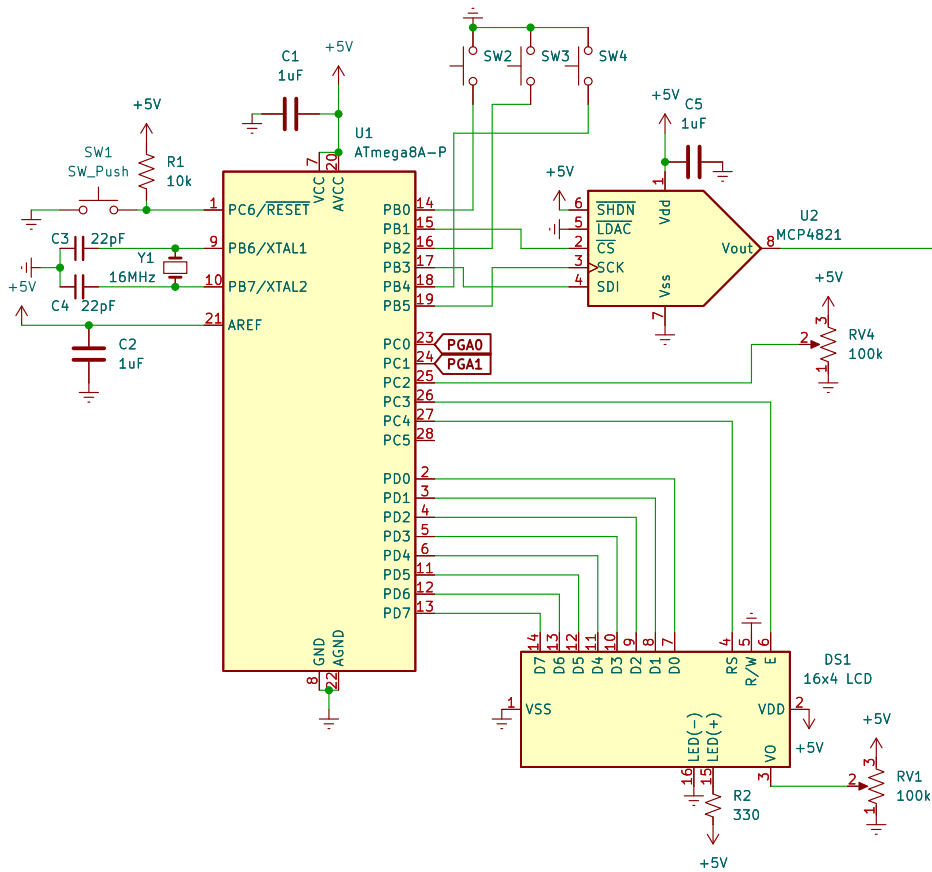
Bipolar Supply Generator



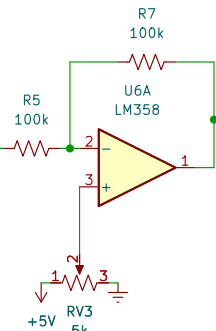
+5V Supply



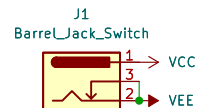
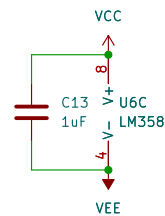
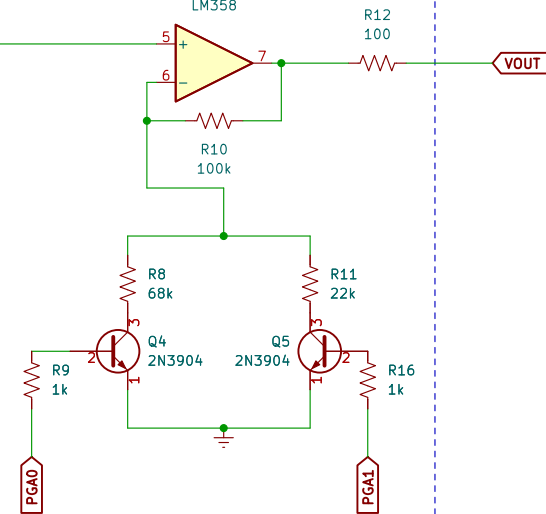
Digital Logic



Center Waveform around 0 volts



PGA



Sine Lab <https://sinelab.net>
<https://youtube.com/c/sinelab>

W Hooper

Sheet: /
 File: DDS.kicad_sch

Title: Digital Function Generator

Size: A4 Date: 2022-11-21

KiCad E.D.A. kicad (6.0.9)

Rev: 1

Id: 1/1